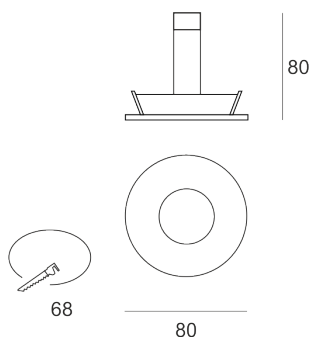


GYDRO P AS



- IP: 54
- Color temperature:
- Luminous flux: lm

Name	Code	Colour	Voltage supply	Luminaire wattage	Light source type	Handle
GYDRO P AS	1209115	AS	12V	max 50W	QR-CBC51	GU 5,3