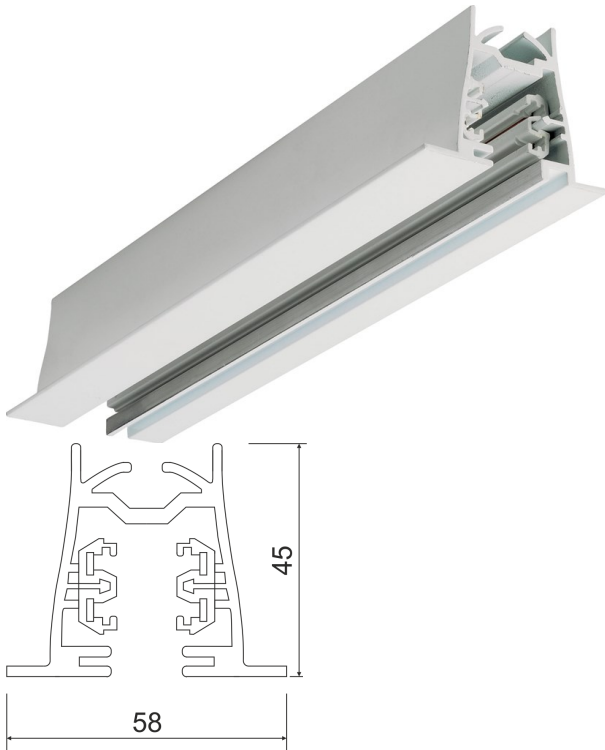


# LYTESPAN L3 RCS 2000 BIAŁY



- IP: 20
- Color temperature:
- Luminous flux: lm

| Name                                       | Code    | Colour | Voltage supply | Luminaire wattage | Light source type |
|--|---------|--------|----------------|-------------------|-------------------|
| <a href="#">LYTESPAN L3 RCS 2000 BIAŁY</a> | 2020718 | white  | 230V           |                   |                   |